

CE

SUMAKE®

**PNEUMATIC
TOOLS**



AIR NEEDLE SCALER ST-2550

SPECIFICATION

Impact per min (bpm)	3700	Vibration EN 8662/1 & 8662/14	Noise ISO 3744	Remark
No. of needle	Ø3 x 180 x 19pcs			
Needle option	Ø2 x 180 x 29pcs	No-load: 8.7m/s ²	Sound pressure level 97 dB	Should wear an approved ear - protector and gloves while operating tool.
Piston Ø X Stroke	23.5 x 20 x 73		Sound power level 107.8 dB	
Length (mm)	375			
Air Consumption (l/min)	160			
Air Inlet (inch)	1/4"			
Air Pressure (bar)	6.3			
Net Weight (kgs)	2.6			

EC DECLARATION OF CONFORMITY FOR MACHINERY

Manufacturer: SUMAKE INDUSTRIAL CO.,LTD.

Address: 4F,-NO. 351, YANGGUANG ST., NEIHU DISTRICT
TAIPEI CITY 114, TAIWAN

**herewith declares
that:**

**Air Needle Scaler
ST-2550**

- is in conformity with the provisions of the Machinery Directive (Directive 89/392/EEC), as amended, and with national implementing legislation:

-and have been tested according to: prEN 792.... (relevant part)

Taipei, Taiwan Oct / 10 / 2002



.....
Signature

MIKE SU
.....

Full name

Foreword

Sumake is a manufacturer and exporter of air tools since established. We have devote all our effort in improving quality and tools life. As well as the noise and vibration of tools. Bring all of your working efficiency, profits and enjoy using the tool is our principle.

Operator's instruction

■ Main Applications

- ▶ de-slugging, de-sputtering of welds;
- ▶ shot-peening after welding;
- ▶ cleaninh metal surfaces of rust and scale;
- ▶ stripping paint;
- ▶ cleaning castings;
- ▶ removing cores;
- ▶ cleaning brick and stone-work;
- ▶ cleaning ship plates barges, buoys

■ Cautions for Use

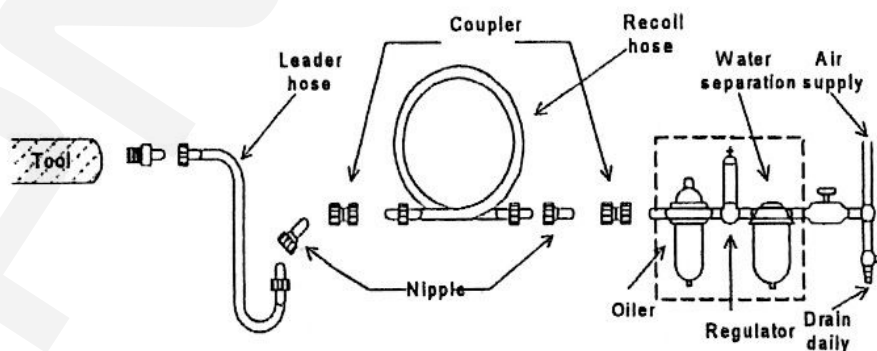
○ Air pressure

Maximum performance is displayed at a gauge pressure of 6 bar. Range-wise, this is an air pressure from 5 to 7 bar (70 to 100 psi)



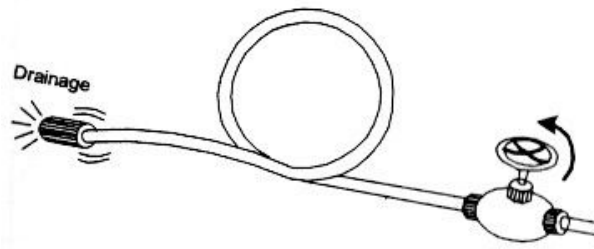
○ Air line

Use a 3/8" air hose between the compressor and the tool. Compressed air is cooled and its water content separated, as soon as the air leaves the compressor. A portion of the water content, however, is condensed in the piping, and can enter the tool mechanism, and may cause trouble. So, install an air filter and on oiler between the compressor and the tool. The compressor used should have 1 or higher HP in the case of using each one unit.



● Air hose

Blow compressed air through the supply hose before connecting the tool.



● Lubrication

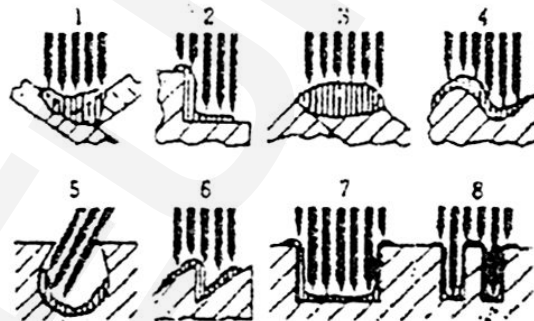
Before connecting the hose, apply 4 or 5 drops of #60 spindle oil at the air inlet. (No lubrication is required when oiler is used) Use of a thicker oil can lead to reduced performance or malfunction. If a thicker oil is used by accident, wash it away immediately. Also, every 3 or 4 hours of operation, oiling is necessary.

● Idle running

Idle operation will shorten the life of the tool and needles and should be avoided.

■ **Cautions for operation**

The quick-reciprocating needles of Jet Chisel adjust automatically to a surface contour during cleaning. Slight pressure of the needles against the work surface is sufficient for maximum performance. An upright tool position is the best. The tool will efficiently clean uneven surfaces, get into grooves, corners and gaps, clean outside and inside surfaces and clean spades inaccessible and too confined for other types of tools.

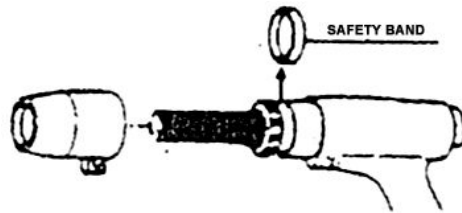


We can supply Ø2 and Ø3 needles for this tool. Change needles according to your work. Change the kind of needle guide according to your work.

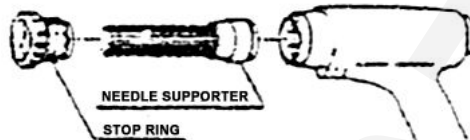
The broken heads of needles must be removed from the cylinder, otherwise continuous operation with them causes malfunction and shortened the life of needle supporter.

■ **Changing needles:**

- ▶ Unfasten the hexagon socket head bolt of the needle guide with the hexagon wrench key and pull out the needle guide.
- ▶ Remove the safety band from the grip groove.



- ▶ Loosen the stop ring and remove. Take out the needle supporter by pulling out the needles.



- ▶ Extract the needles. The needles must be changed whenever damaged during operation.
- ▶ After changing needles , assemble in the reverse manner of disassembly.

■ **Storage**

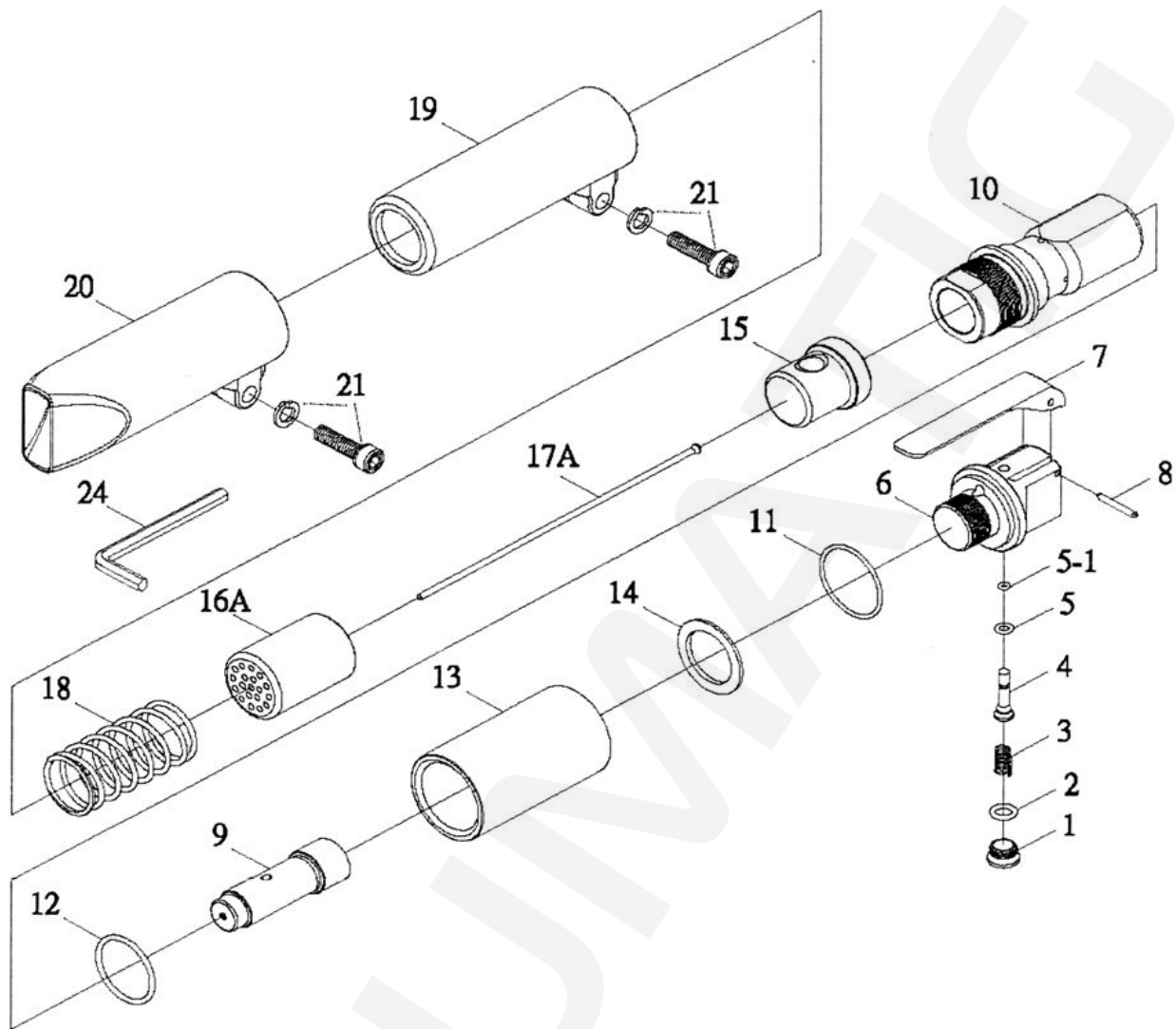
Avoid storing the tool in a location subject to high humidity. If the tool is left as it is used, residual moisture on the inside can cause rusting. Before storing and after operation oil the tool at the air inlet with spindle oil and run it for the short time.

■ **Ordering service Parts**

For further operational and handling information or of replacement of parts and components, contact the sale agent from whom you purchased the tool or the service division of our company.

** In ordering parts and components, give each part number, name and quantity.*

ST-2550 Air Needle Scaler



PARTS LIST

No.	Parts No.	Description	Q'ty	No.	Parts No.	Description	Q'ty
1	2550-01	Valve Cap	1	13	2550-13	Piston Sleeve	1
2	2550-02	O-Ring – Valve Cap (7.8x2.4)	1	14	2550-14	Cylinder Body	1
3	2550-03	Valve Spring	1	15	2550-15	Anvil	1
4	2550-04	Valve Stem	1	16	2550-16	Needle Holder - 3mm	1
5	2550-05	O-Ring – Valve Seat (P5)	1	16	2550-16A	Needle Holder - 2mm	1
5-1	2550-05-1	O-Ring (2.5x1.5)	1	17	2550-17	Needle Set - 3mm	19
6	2550-06	Valve Body	1	17	2550-17A	Needle Set - 2mm	29
7	2550-07	Throttle Lever	1	18	2550-18	Spring - Compression	1
8	2550-08	Roll Pin	1	19	2550-19	Intermediate Tube	1
9	2550-09	Piston	1	20	2550-20	Front Tube	1
10	2550-10	Cylinder	1	21	2550-21	Cap Head Screw	2
11	2550-11	O-Ring (P26)	1	24	2550-24	Hex. Wrench (6mm)	1
12	2550-12	O-Ring (P26)	1				