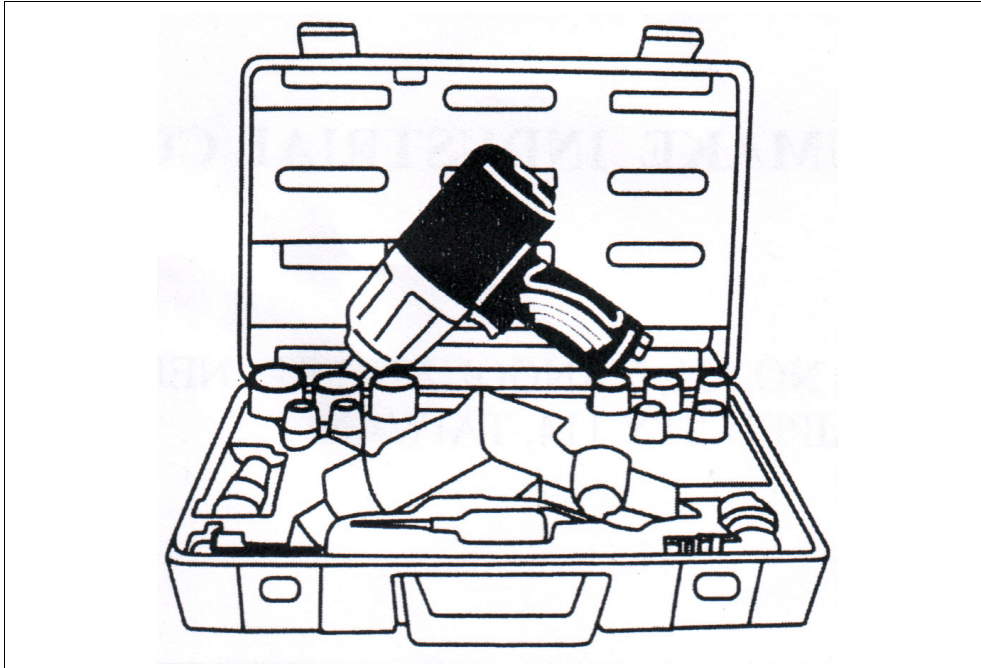


CE

SUMAKE®

**PNEUMATIC
TOOLS**



**17 Pcs 1/2" Air Impact Wrench Kit
Composite Housing (Blow Case)
ST-C540K**

SPECYFICATION

Free Speed (rpm)	7500	Vibration EN28662-1 EN28662-7	Noise ISO 3744:1995(E)	Remark
Square Driver (inch)	1/2			
Std. Bolt Size (inch)	3/4	No-Load: 8.2 m/s ²	Sound pressure level 94.3 dB	Should wear an approved ear - protector and gloves while operating tool.
Air Consumption(l/min)	226		Sound power level 105.3 dB	
Work Torque(N-m)	813			
Air Hose(inch)	3/8			
Air Inlet (inch)	1/4			
Overall Length(inch)	9			
Air Pressure(bar)	6.2			
Net Weight (kgs)	2.0			

EC DECLARATION OF CONFORMITY FOR MACHINERY

Manufacturer: SUMAKE INDUSTRIAL CO.,LTD.

Address: 4F,-NO. 351, YANGGUANG ST., NEIHU DISTRICT
TAIPEI CITY 114, TAIWAN


**herewith declares
that:**

**17 Pcs 1/2" Air Impact Wrench Kit
Composite Housing (Blow Case)**

- is in conformity with the provisions of the Machinery Directive (Directive 2006/42/EC), as amended, and with national implementing legislation:

-and have been tested according to
EN ISO 12100-1:2003, EN ISO 12100-2:2003, EN ISO 14121-1:2007,
EN ISO 14121-2:2007, EN 792-6:2000

Taipei, Taiwan JAN / 19 / 2010


.....
Signature

MIKE SU
.....
Full name

Foreword

Sumake is a manufacturer and exporter of air tools since established. We have devote all our effort in improving quality and tools life. As well as the noise and vibration of tools. Bring all of your working efficiency, profits and enjoy using the tool is our principle.

Operator's instruction

■ 1.Main Applications

The most popular 1/2" drive impact wrench. It combines compact size and light weight with high torque to meet a wide range of applications. It is ideal for overall automotive service, body shop, farm and light truck work.

■ 2.Cautions for Use

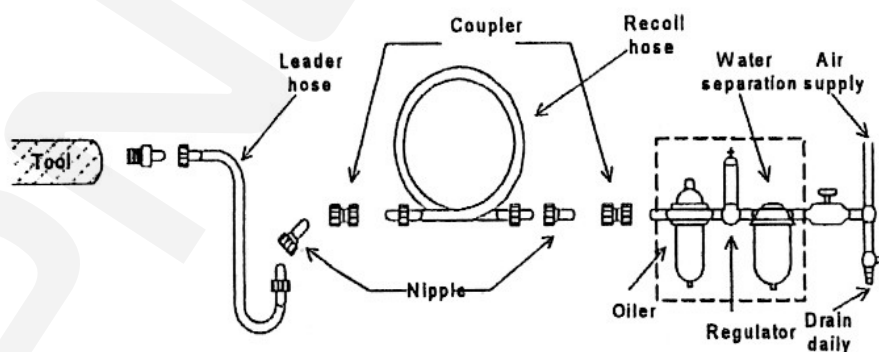
● 2-1 Air pressure

Maximum performance is displayed at the proper sanding speed, obtainable at a gauge pressure of 6.2 bar. Range-wise, this is an air pressure from 5 to 7 bar (70 to 100 psi)



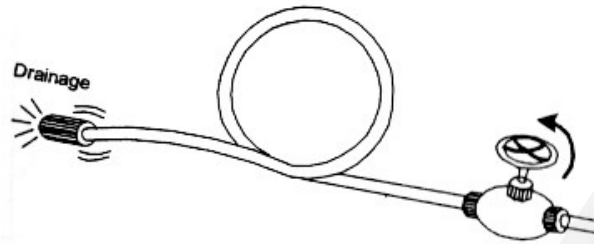
● 2-2 Air line

Use a 3/4" air hose between the compressor and the tool. Compressed air is cooled and its water content separated, as soon as the air leaves the compressor. A portion of the water content, however, is condensed in the piping, and can enter the tool mechanism, and may cause trouble. So, install an air filter and an oiler between the compressor for each sander.



● 2-3 Air hose

Clean the hose with a blast of compressed air before connecting the hose to air tool. This will prevent both moisture and dust within the hose from entering the tool and causing possible rust or malfunction. To compensate for unusually long hose (over 25 ft), the line pressure should be increased accordingly.



● 2-4 Inserted tools

Use only the socket or adapter which are in good condition for use. The intended socket and adapter for this air tool could be started as "Square Drive" on the specification list.

- 2-5 The approved eye protector, ear-muff, mouth-muffle, and gloves shall be worn when operate this tool.
- 2-6 The working place shall be ventilative.
- 2-7 Release the on-off device in the case of energy supply failure.

■ 3. Operation Method

● 3.1 On-off device

The on-off device is on the inner or outer contour of the grip. It is a "hold-to-run" type. This tool stops rotation within few sec, after releasing the lever. For the sake of safety, place it on a level plate or on hanger after it completely stops.

● 3.2 Torque Adjuster

You can adjust the torque by rotating the knob which indicated by 1 to 6. "1" indicates the smallest torque output and "6" indicates the largest torque output.

● 3.3 Rotating Direction

One shall make sure the direction of rotation before actuate this tool. The "F" indicates forward and the "R" indicates reverse. Forward is defined as clockwise direction seen from the operator's position.

■ 4. Maintenance

● 4-1 Lubrication

Before connecting the hose, apply 4 or 5 drops of #60 spindle oil at the air inlet. Use of a thicker oil can lead to reduced performance or malfunction. If a thicker oil is used by accident, wash it away immediately. Also, every 3 or 4 hours of operation, oiling is necessary.

● 4-2 Storage

Avoid storing the tool in a location subject to high humidity. If the tool is left as it is used, the residual moisture inside the tool can cause rust. Before storing and after operation, oil the tool at the air inlet with spindle oil and run it for short time.

● 4-3 Disposal

If the tool is too seriously damaged to be used any more, drop it in a resource recycling can. Never drop it into fire.

● 4-4 Ordering service Parts

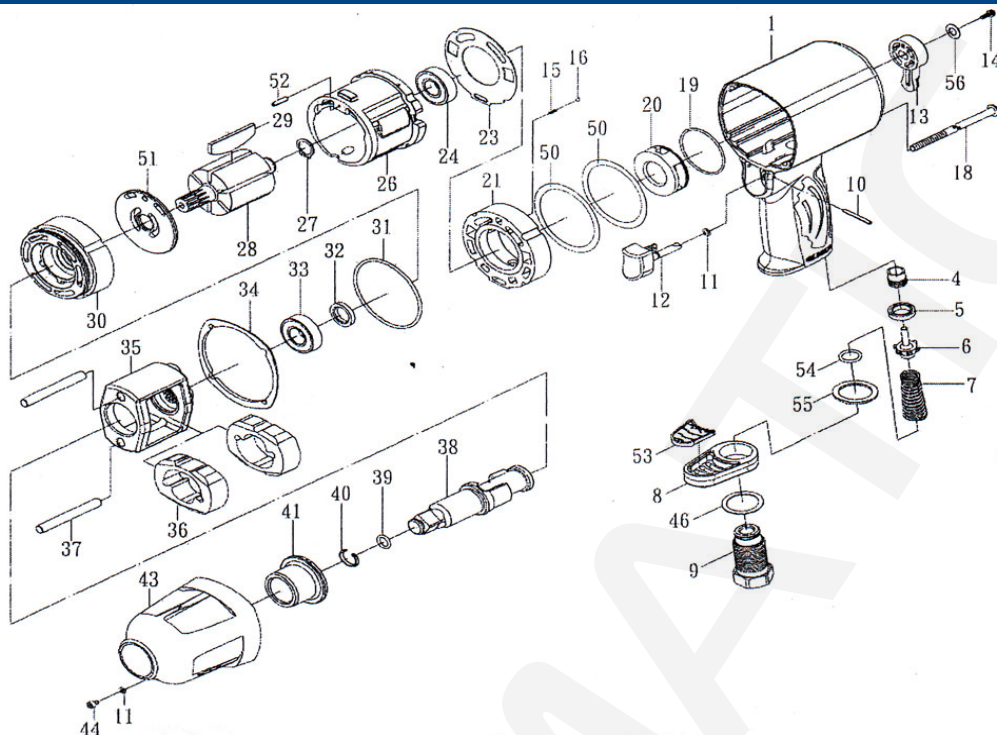
For further operational and handling information or of replacement of parts and components, contact the sale agent from whom you purchased the tool or the service division of our company.

** In ordering parts and components, give each part number, name and quantity.*

Warning

- 1.The power tool shall not be used in potentially explosive atmospheres.
- 2.Disconnect the air hose before changing or adjusting any inserted tools.
- 3.Prevent long hair or loose clothing from drawing in while operate this tool.
- 4.Keep your body in well balanced position and always wear gloves to reduce the risk of crushing caused by torque between handle and workpiece.
- 5.Unexpected direction of rotating could cause a hazardous situation.
- 6.Slip/Trip/Fall is a major reason of serious injury or death. Beware of excess hose left on the walking or work surface.
- 7.Wearing eye/face protector could reduce the danger to person from high speed splinters being emitted from this tool in the case of inserted tool failure or emitted from workpiece
- 8.Wearing mouth-muff could avoid inhaling dust or handling debris from work process that can be harmful to your health.
- 9.Excessive high air pressure and too much free rotation may speed the wear of this tool and might cause danger situation.

ST-C540, ST-C540-2 1/2" HEAVY DUTY IMPACT WRENCH W/1"(2) ANVIL (TWIN HAMMER)



PARTS LIST

No.	Parts No.	Description	Q'ty	No.	Parts No.	Description	Q'ty
1	C540-01	Housing Sub Assembly [Incl. Bushing]	1	28	C540-28	Rotor	1
4	C540-04	Screw Sub Assembly [Incl. Seal]	1	29	C540-29	Rotor Blade	6
5	C540-05	Oil Seal	1	30	C540-30	Front Plate	1
6	C540-06	Valve	1	31	C540-31	O-Ring	1
7	C540-07	Spring	1	32	C540-32	Oil Seal	1
8	C540-08	Exhaust Deflector	1	33	C540-33	Bearing	1
9	C540-09	Air Inlet	1	34	C540-34	Gasket	1
10	C540-10	Spring Pin	1	35	C540-35	Hammer Cage	1
11	C540-11	O-Ring	2	36	C540-36	Hammer	2
12	C540-12	Trigger	1	37	C540-37	Hammer Pin	2
13	C540-13	Switch	1	38	C540-38	1" Anvil	1
14	C540-14	Screw	1		C540-38A	2" Anvil	1
15	C540-15	Spring	1	39	C540-39	O-Ring	1
16	C540-16	Steel Ball	1	40	C540-40	Socket Retainer	1
18	C540-18	Screw	4	41	C540-41	Bushing	1
19	C540-19	O-Ring	1	43	C540-43	Hammer Case Sub Assembly [Incl. Steel Pipe]	1
20	C540-20	Reverse Valve	1	44	C540-44	Screw	1
21	C540-21	Reverse Bushing Sub Assembly [Incl. Valve Bushing]	1	46	C540-46	Washer	1
23	C540-23	Gasket	1	50	C540-50	Gasket	2
24	C540-24	Bearing	1	51	C540-51	Washer	1
26	C540-26	Cylinder Sub Assembly [Incl. Steel Ball]	1	52	C540-52	Dowel Pin	1
27	C540-27	Retainer Ring	1	53	C540-53	Muffler Cover	1
				54	C540-54	O-Ring	1
				55	C540-55	Seal	1
				56	C540-56	Washer	1