

Kolanko 10mm PUL-10

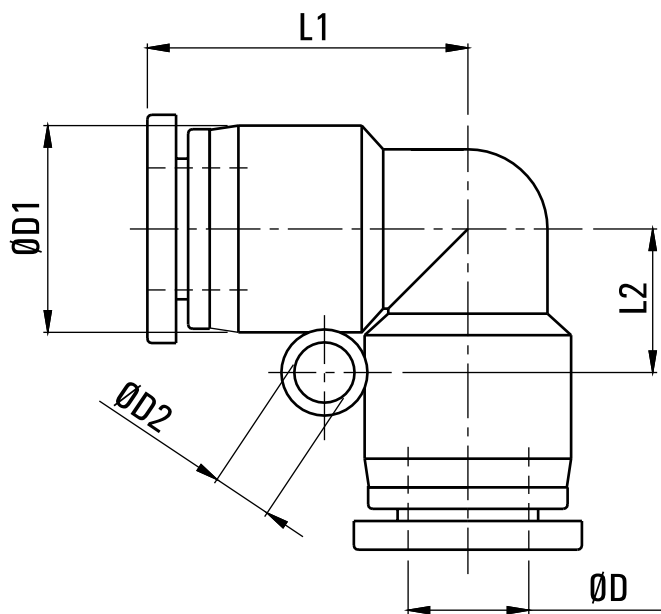


hitech

| | |
|-----------|-----------|
| model | PU-PUL-10 |
| producent | Hi-Tech |
| wąż | Ø 10 mm |
| typ | kolanko |

typ szybkozłączki: kolanko

wąż: 10mm



| MODEL | ØD | ØD1 | ØD2 | L1 | L2 |
|--------|-------------|--------------|--------------|------|------|
| PUL-04 | 4 | 11.5 | 3.2 | 19 | 7 |
| PUL-06 | 6 | 13.5 | 3.2 | 19.2 | 8 |
| PUL-08 | 8 | 15 | 3.2 | 22.5 | 10 |
| PUL-10 | 10 | 19 | 4.2 | 27.8 | 12 |
| PUL-12 | 12 | 21.5 | 4.2 | 29.5 | 13.5 |
| PUL-16 | 16 | 26.5 | - | 33 | - |