

## Kolanko 16mm PUL-16

---

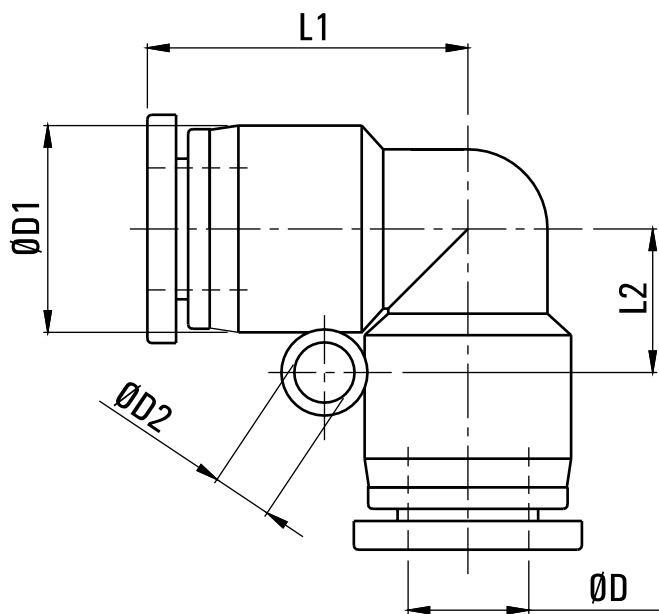


**hitech**

|           |           |
|-----------|-----------|
| model     | PU-PUL-16 |
| producent | Hi-Tech   |
| wąż       | Ø 16 mm   |
| typ       | kolanko   |

typ szybkozłączki: kolanko

wąż: 16 mm



| MODEL  | ØD | ØD1  | ØD2 | L1   | L2   |
|--------|----|------|-----|------|------|
| PUL-04 | 4  | 11.5 | 3.2 | 19   | 7    |
| PUL-06 | 6  | 13.5 | 3.2 | 19.2 | 8    |
| PUL-08 | 8  | 15   | 3.2 | 22.5 | 10   |
| PUL-10 | 10 | 19   | 4.2 | 27.8 | 12   |
| PUL-12 | 12 | 21.5 | 4.2 | 29.5 | 13.5 |
| PUL-16 | 16 | 26.5 | -   | 33   | -    |