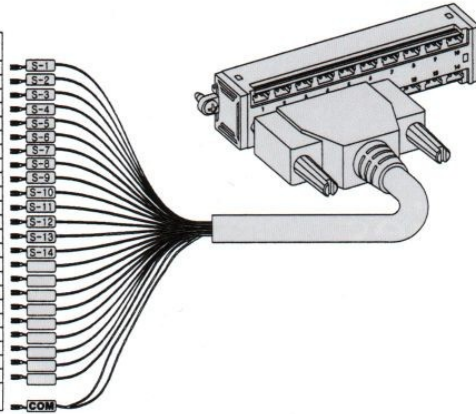


MCS100 Series

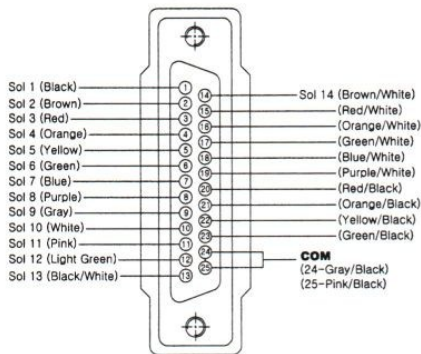
Multi Connector System
SF1000, SF2000 Solenoid Valve MOUNTED

- DC 24V/ DC 12V
- 25Pin D-Sub Connector
- Simple Electric Wire System

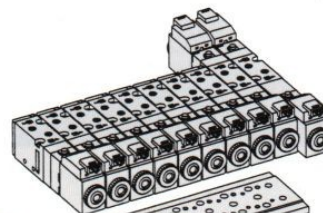
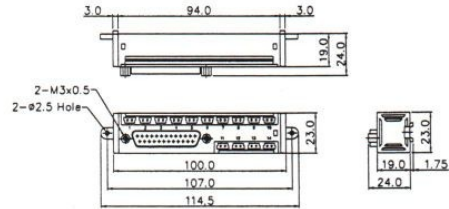
Wire Color	Pin No.	Solenoid No.
Black	1	S-1
Brown	2	S-2
Red	3	S-3
Orange	4	S-4
Yellow	5	S-5
Green	6	S-6
Blue	7	S-7
Purple	8	S-8
Gray	9	S-9
White	10	S-10
Pink	11	S-11
Light Green	12	S-12
Black/White	13	S-13
Brown/White	14	S-14
Red/White	15	
Orange/White	16	
Green/White	17	
Blue/White	18	
Purple/White	19	
Red/White	20	
Orange/Black	21	
Yellow/Black	22	
Green/Black	23	
Gray/Black	24	COM
Pink/Black	25	COM



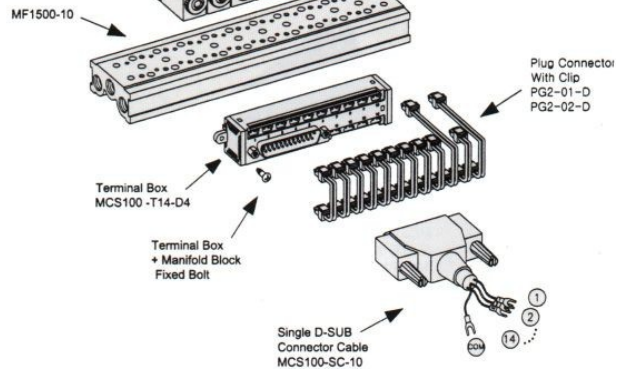
D-Sub Connector Pin No.

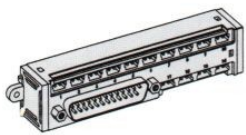

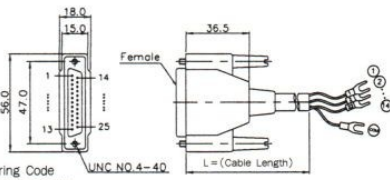


Terminal Box
MCS100 -T14-D4



SF1101-IP-SM1-***
SF1200-IP-SM1-***
SF1303-IP-SM1-***



Terminal Box	Plug Connector With Clip	Single D-Sub Connector Cable IP40
		
Ordering Code MCS100 -T14-***	Ordering Code PG2-01-D (100mm) PG2-02-D (200mm)	Ordering Code MCS100-SC-10 (1m) MCS100-SC-30 (3m)

ORDERING NO.

MCS1 0 0 - T14 - D4

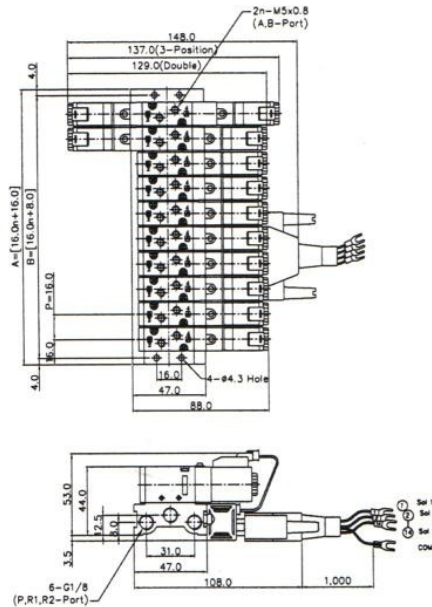
Series	Function	D-Sub Connector	Multipole Wireway Box	Voltage
MCS1 : Multi Connector Solenoid Valve Mounted	0 Single Module	0 25 Pin D-Sub Connector	T14 14 Station	0 None D4 DC 24V D2 DC 12V



Multi Connector System

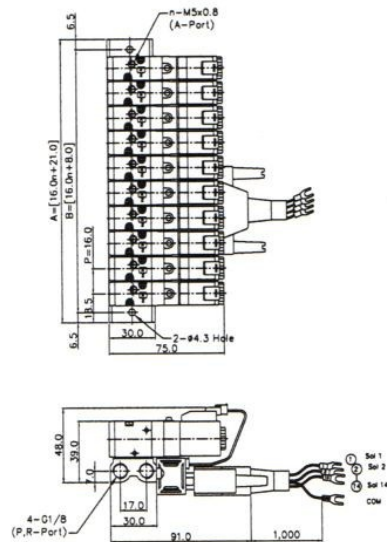
Solenoid Valve Mounted

SF1000 Series Mounted



n = STATION

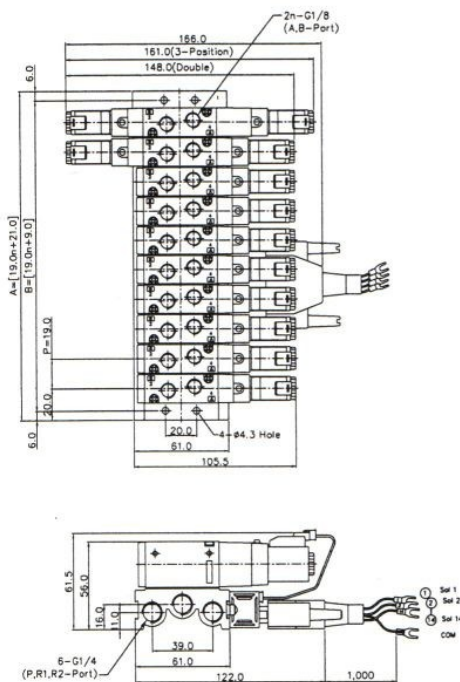
ITEM	n	8	10	12	14
B		136.0	168.0	200.0	232.0
A		144.0	176.0	208.0	240.0



n = STATION

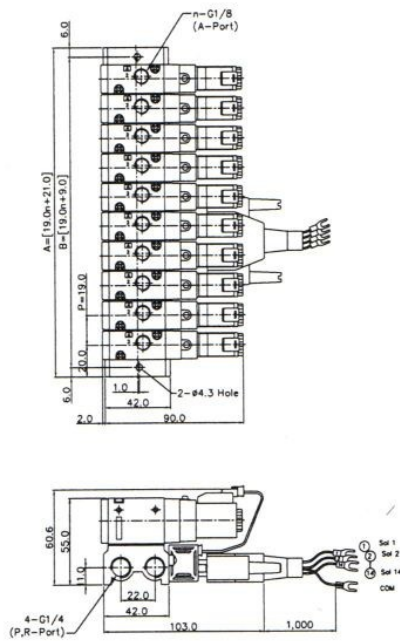
ITEM	n	8	10	12	14
B		136.0	168.0	200.0	232.0
A		149.0	181.0	213.0	245.0

SF2000 Series Mounted



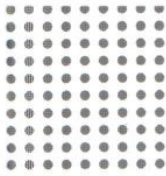
n = STATION

ITEM	n	8	10	12	14
B		161.0	199.0	237.0	275.0
A		173.0	211.0	249.0	287.0



n = STATION

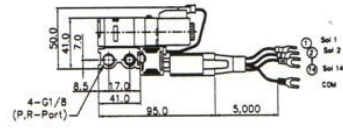
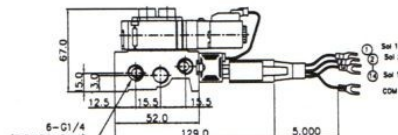
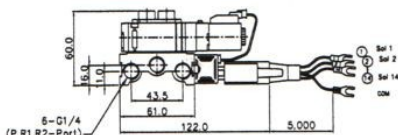
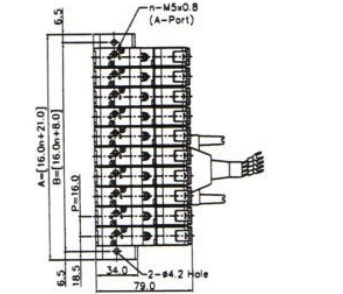
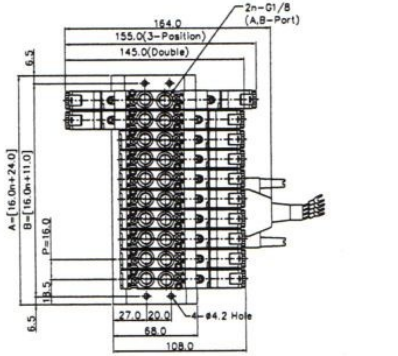
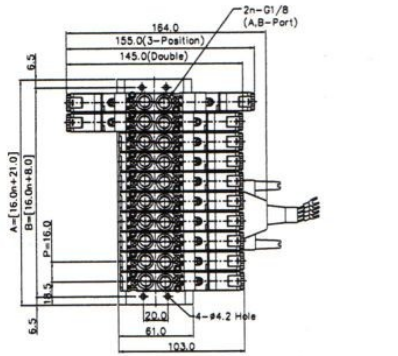
ITEM	n	8	10	12	14
B		161.0	199.0	237.0	275.0
A		173.0	211.0	249.0	287.0



Multi Connector System

Solenoid Valve Mounted

SCE300 Series Mounted

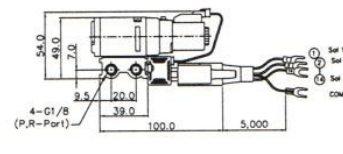
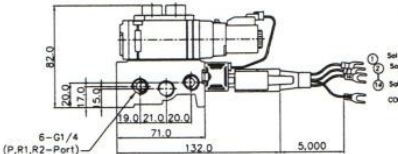
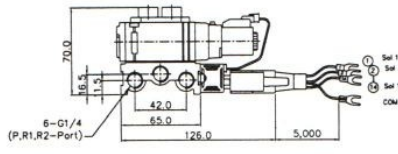
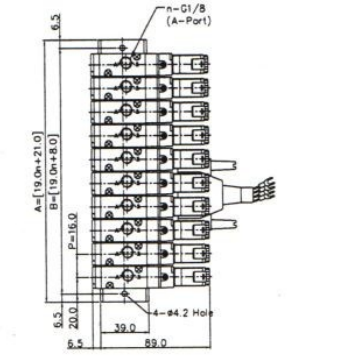
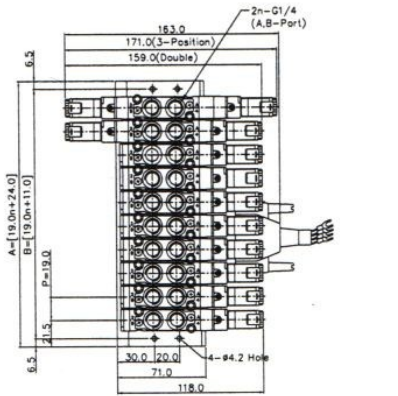
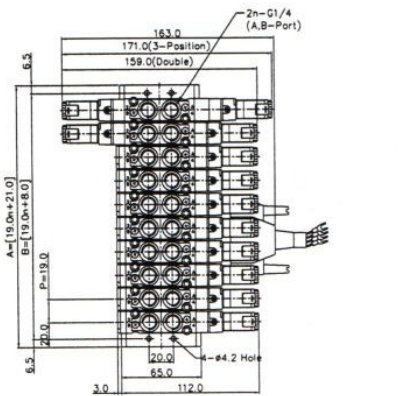


n=STATION	8	10	12	14
B	136.0	168.0	200.0	232.0
A	149.0	181.0	213.0	245.0

n=STATION	8	10	12	14
B	139.0	171.0	203.0	235.0
A	152.0	184.0	216.0	248.0

n=STATION	8	10	12	14
B	136.0	168.0	200.0	232.0
A	149.0	181.0	213.0	245.0

SCE400 Series Mounted



n=STATION	8	10	12	14
B	160.0	198.0	236.0	274.0
A	173.0	211.0	249.0	287.0

n=STATION	8	10	12	14
B	163.0	201.0	239.0	277.0
A	176.0	214.0	252.0	290.0

n=STATION	8	10	12	14
B	160.0	198.0	236.0	274.0
A	173.0	211.0	249.0	287.0