

Redukcja 16/14-12 PGJ-16-12



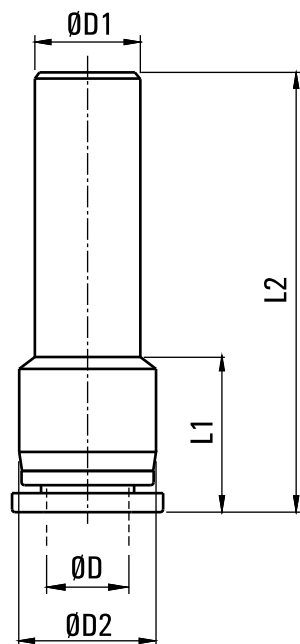
hitech

| | |
|-----------|--------------|
| model | PU-PGJ-16-12 |
| producent | Hi-Tech |
| wąż | Ø 16 mm |
| wąż (r) | Ø 12 mm |
| typ | redukcja |

typ szybkozłączeni: złączka prosta

wąż: 16mm

wąż: 12mm



| MODEL | ØD | ØD1 | ØD2 | L1 | L2 |
|-----------|----|-----|------|------|------|
| PGJ-06-04 | 4 | 6 | 10 | 16 | 35 |
| PGJ-08-04 | 4 | 8 | 10 | 13 | 34 |
| PGJ-08-06 | 6 | 8 | 12 | 15.5 | 36 |
| PGJ-10-06 | 6 | 10 | 12 | 16.8 | 41 |
| PGJ-10-08 | 8 | 10 | 14 | 17.5 | 42 |
| PGJ-12-06 | 6 | 12 | 13.5 | 13.5 | 38.5 |
| PGJ-12-08 | 8 | 12 | 14 | 17.5 | 42.5 |
| PGJ-12-10 | 10 | 12 | 17 | 21 | 46 |