

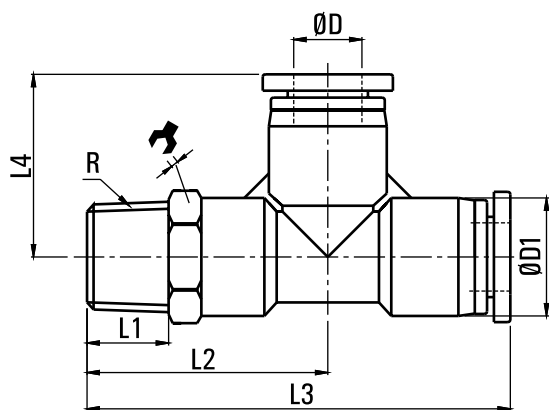
## Trójnik T 06mm M5 PST-06-00





**hitech**

|               |              |
|---------------|--------------|
| model         | PU-PST-06-00 |
| producent     | Hi-Tech      |
| wąż           | Ø 6 mm       |
| typ           | trójnik T    |
| przyłącze     | M5           |
| rodzaj gwintu | zewnątrzny   |

typ szybkozłączki: trójnik T  
przyłącze: M5  
wąż: 6mm



| MODEL     | ØD | R    | L1   | L2   | L3   | L4   | ØD1  |  |
|-----------|----|------|------|------|------|------|------|---|
| PST-04-M5 | 4  | M5   | 3.5  | 21.3 | 40.3 | 19   | 11.5 | 10  |
| PST-04-01 | 4  | 1/8" | 7.5  | 23.8 | 42.8 | 19   | 11.5 | 10  |
| PST-04-02 | 4  | 1/4" | 9.5  | 26.8 | 45.8 | 19   | 11.5 | 14  |
| PST-04-03 | 4  | 3/8" | 10.5 | 28.3 | 47.3 | 19   | 11.5 | 17  |
| PST-06-M5 | 6  | M5   | 3.5  | 21.7 | 40.9 | 19.2 | 13.5 | 12  |
| PST-06-01 | 6  | 1/8" | 7.5  | 24.2 | 43.4 | 19.2 | 13.5 | 12  |
| PST-06-02 | 6  | 1/4" | 9.5  | 26.7 | 46   | 19.2 | 13.5 | 14  |
| PST-06-03 | 6  | 3/8" | 10.5 | 28.2 | 47.5 | 19.2 | 13.5 | 17  |
| PST-06-04 | 6  | 1/2" | 13.5 | 31.7 | 51   | 19.2 | 13.5 | 21  |
| PST-08-01 | 8  | 1/8" | 7.5  | 27.5 | 50   | 22.5 | 15   | 14  |
| PST-08-02 | 8  | 1/4" | 9.5  | 29.5 | 52   | 22.5 | 15   | 14  |
| PST-08-03 | 8  | 3/8" | 10.5 | 31   | 53.5 | 22.5 | 15   | 17  |
| PST-08-04 | 8  | 1/2" | 13.5 | 34.5 | 57   | 22.5 | 15   | 21  |

| MODEL     | ØD | R    | L1   | L2   | L3   | L4   | ØD1  |  |
|-----------|----|------|------|------|------|------|------|---|
| PST-10-01 | 10 | 1/8" | 7.5  | 33   | 61.5 | 27.5 | 19   | 17  |
| PST-10-02 | 10 | 1/4" | 9.5  | 35   | 63.5 | 27.5 | 19   | 17  |
| PST-10-03 | 10 | 3/8" | 10.5 | 36   | 64.5 | 27.5 | 19   | 17  |
| PST-10-04 | 10 | 1/2" | 13.5 | 39.5 | 68   | 27.5 | 19   | 21  |
| PST-12-01 | 12 | 1/8" | 7.5  | 33.5 | 63   | 29.5 | 21.5 | 21  |
| PST-12-02 | 12 | 1/4" | 9.5  | 36   | 65.5 | 29.5 | 21.5 | 21  |
| PST-12-03 | 12 | 3/8" | 10.5 | 37   | 66.5 | 29.5 | 21.5 | 21  |
| PST-12-04 | 12 | 1/2" | 13.5 | 40   | 69.5 | 29.5 | 21.5 | 21  |