

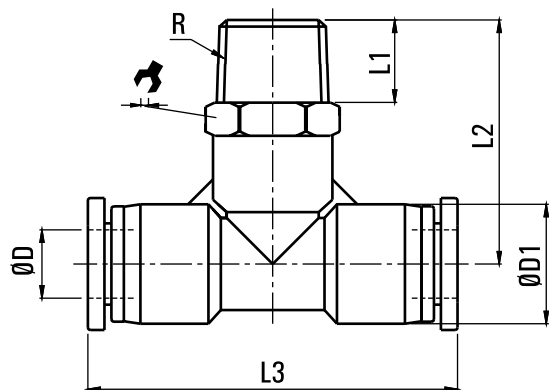
## Trójnik T 10 1/4" PT-10-02



**hitech**

|               |             |
|---------------|-------------|
| model         | PU-PT-10-02 |
| producent     | Hi-Tech     |
| wąż           | Ø 10 mm     |
| typ           | trójnik T   |
| przyłącze     | G 1/4       |
| rodzaj gwintu | zewnątrzny  |

typ szybkozłączki: trójnik T  
przyłącze: 1/4  
wąż: 10mm



| MODEL    | ØD | R    | L1   | L2   | L3 | ØD1  | ↻  |
|----------|----|------|------|------|----|------|----|
| PT-04-M5 | 4  | M5   | 3.5  | 21.3 | 38 | 11.5 | 10 |
| PT-04-01 | 4  | 1/8" | 7.5  | 23.8 | 38 | 11.5 | 10 |
| PT-04-02 | 4  | 1/4" | 9.5  | 26.8 | 38 | 11.5 | 14 |
| PT-04-03 | 4  | 3/8" | 10.5 | 28.3 | 38 | 11.5 | 17 |
| PT-06-M5 | 6  | M5   | 3.5  | 21.7 | 39 | 13.5 | 12 |
| PT-06-01 | 6  | 1/8" | 7.5  | 24.5 | 39 | 13.5 | 12 |
| PT-06-02 | 6  | 1/4" | 9.5  | 26.7 | 39 | 13.5 | 14 |
| PT-06-03 | 6  | 3/8" | 10.5 | 28.2 | 39 | 13.5 | 17 |
| PT-06-04 | 6  | 1/2" | 13.5 | 31.7 | 39 | 13.5 | 21 |
| PT-08-01 | 8  | 1/8" | 7.5  | 27.5 | 45 | 15   | 14 |
| PT-08-02 | 8  | 1/4" | 9.5  | 29.5 | 45 | 15   | 14 |
| PT-08-03 | 8  | 3/8" | 10.5 | 31   | 45 | 15   | 17 |
| PT-08-04 | 8  | 1/2" | 13.5 | 34.5 | 45 | 15   | 21 |

| MODEL    | ØD | R    | L1   | L2   | L3 | ØD1  | ↻  |
|----------|----|------|------|------|----|------|----|
| PT-10-01 | 10 | 1/8" | 7.5  | 32.8 | 57 | 19   | 17 |
| PT-10-02 | 10 | 1/4" | 9.5  | 34.8 | 57 | 19   | 17 |
| PT-10-03 | 10 | 3/8" | 10.5 | 35.8 | 57 | 19   | 17 |
| PT-10-04 | 10 | 1/2" | 13.5 | 39.3 | 57 | 19   | 21 |
| PT-12-01 | 12 | 1/8" | 7.5  | 33.5 | 59 | 21.5 | 21 |
| PT-12-02 | 12 | 1/4" | 9.5  | 36   | 59 | 21.5 | 21 |
| PT-12-03 | 12 | 3/8" | 10.5 | 37   | 59 | 21.5 | 21 |
| PT-12-04 | 12 | 1/2" | 13.5 | 40   | 59 | 21.5 | 21 |
| PT-16-03 | 16 | 3/8" | 10.5 | 44   | 66 | 26.5 | 24 |
| PT-16-04 | 16 | 1/2" | 13.5 | 47   | 66 | 26.5 | 24 |