

Złączka kątowa PL-06-00



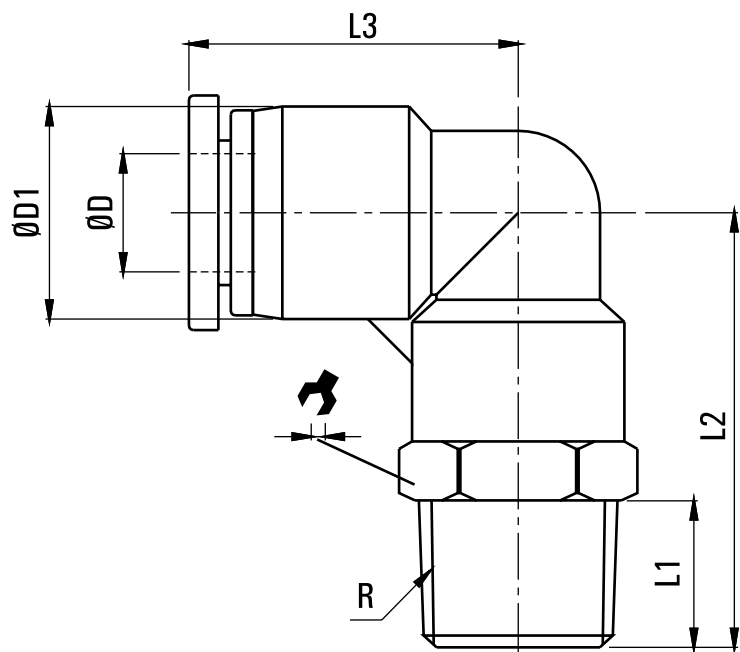
hitech

| | |
|---------------|-------------|
| model | PU-PL-06-00 |
| producent | Hi-Tech |
| wąż | Ø 6 mm |
| typ | kolanko |
| przyłącze | M5 |
| rodzaj gwintu | zewnątrzny |

typ szybkozłączki: kolanko

przyłącze: M5

wąż: 6 mm



| MODEL | ØD | R | L1 | L2 | L3 | ØD1 | ↻ |
|----------|----|------|------|------|------|------|----|
| PL-04-M5 | 4 | M5 | 3.5 | 21.3 | 19 | 11.5 | 10 |
| PL-04-01 | 4 | 1/8" | 7.5 | 23.8 | 19 | 11.5 | 10 |
| PL-04-02 | 4 | 1/4" | 9.5 | 26.8 | 19 | 11.5 | 14 |
| PL-04-03 | 4 | 3/8" | 10.5 | 28.3 | 19 | 11.5 | 17 |
| PL-06-M5 | 6 | M5 | 3.5 | 21.7 | 19.2 | 13.5 | 12 |
| PL-06-01 | 6 | 1/8" | 7.5 | 24.2 | 19.2 | 13.5 | 12 |
| PL-06-02 | 6 | 1/4" | 9.5 | 26.7 | 19.2 | 13.5 | 14 |
| PL-06-03 | 6 | 3/8" | 10.5 | 28.2 | 19.2 | 13.5 | 17 |
| PL-08-01 | 8 | 1/8" | 7.5 | 27.5 | 22.5 | 15 | 14 |
| PL-08-02 | 8 | 1/4" | 9.5 | 29.5 | 22.5 | 15 | 14 |
| PL-08-03 | 8 | 3/8" | 10.5 | 31 | 22.5 | 15 | 17 |
| PL-08-04 | 8 | 1/2" | 13.5 | 34.5 | 22.5 | 15 | 21 |

| MODEL | ØD | R | L1 | L2 | L3 | ØD1 | ↻ |
|----------|----|------|------|------|------|------|----|
| PL-10-01 | 10 | 1/8" | 7.5 | 32.3 | 27.8 | 19 | 17 |
| PL-10-02 | 10 | 1/4" | 9.5 | 34.3 | 27.8 | 19 | 17 |
| PL-10-03 | 10 | 3/8" | 10.5 | 35.3 | 27.8 | 19 | 17 |
| PL-10-04 | 10 | 1/2" | 13.5 | 38.8 | 27.8 | 19 | 21 |
| PL-12-01 | 12 | 1/8" | 7.5 | 33.5 | 29.5 | 21.5 | 21 |
| PL-12-02 | 12 | 1/4" | 9.5 | 36 | 29.5 | 21.5 | 21 |
| PL-12-03 | 12 | 3/8" | 10.5 | 37 | 29.5 | 21.5 | 21 |
| PL-12-04 | 12 | 1/2" | 13.5 | 40 | 29.5 | 21.5 | 21 |
| PL-16-03 | 16 | 3/8" | 10.5 | 44 | 33 | 26.5 | 24 |
| PL-16-04 | 16 | 1/2" | 13.5 | 47 | 33 | 26.5 | 24 |